

FIBERGLASS PRODUCT

FIBERGLASS TRIM ROOF

Profile TR5-75, TR5-105, etc.

FIBERGLASS SPAN ROOF

Profile SP9-68, SP12-93, etc.

FIBERGLASS CORRUGATED ROOF

Profile GB-800, GK-800, etc.

FIBERGLASS WATER TANK

Profile Conical, Cylinder, Horizontal, etc.



FIBERGLASS OTHER ACCESSORIES

Profile As requested



INSTALLATION SERVICE

1. Contact sales & marketing
2. Measure the product needs
3. Consult the product & its cost
4. Consult the installation cost
5. The details of cost and CAD are only given after contract signed by two party

HUBUNGI KAMI



INTEGRATED STEEL BUILDING

PT SABE INDONESIA

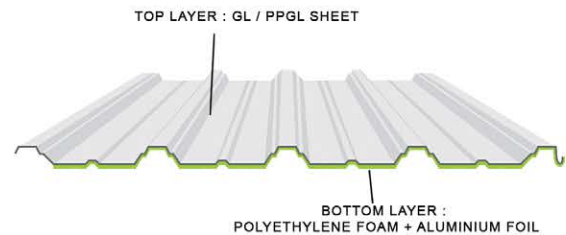
CATALOG PRODUCT



INSULATED METAL ROOF

TRIM ROOF-PU

Profile	TU5 - 75
Insulation	POLYURETHANE FOAM
Density	40 Kg/m ³
Brand	DIAMOND & SABE STEEL

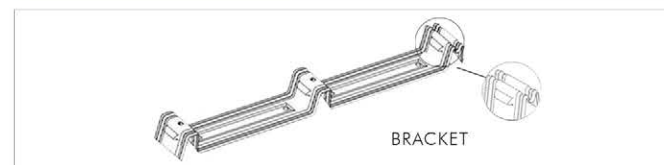


TRIM ROOF-PE

Profile	TE5 - 75
Insulation	POLYETHYLENE FOAM
Brand	DIAMOND & SABE STEEL

KLIP-LOK / BOLTLESS ROOF

Profile	KL4-99
Brand	DIAMOND & SABE STEEL
Features	The longest klip-lok in Indonesia (Effective length 996mm)

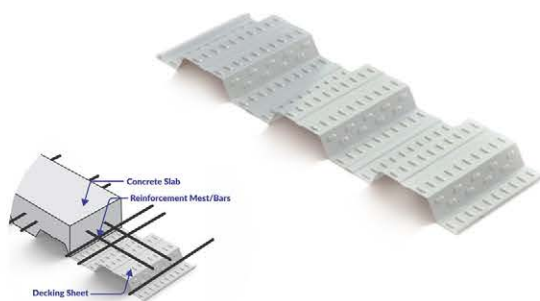


ATAP METAL TANPA BAUT
Bisa di pindah-pindah



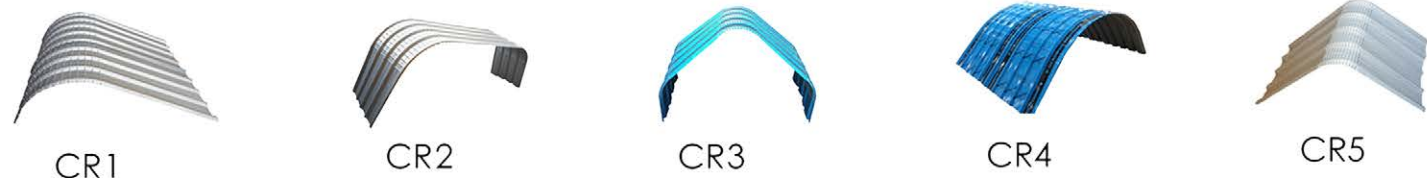
METAL FLOORDECK

Profile	SD - 1000
Brand	DIAMOND & SABE STEEL
Features	Thickness start on 1mm, 1.2mm and 1.5mm The most embossed metal deck in Indonesia



CRIMP CURVE ROOF

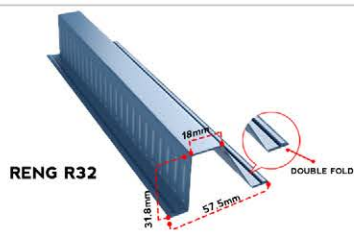
Profile	CR1, CR2, CR3, CR4, CR5
Brand	DIAMOND & SABE STEEL



METAL TRUSS

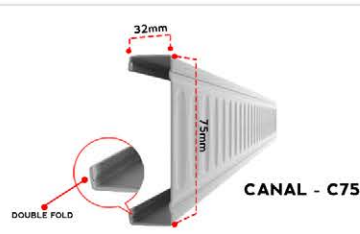
RENG

Profile	R 32
Brand	DIAMOND & SABE STEEL
Features	Asymmetric design Double fold



CANAL - C

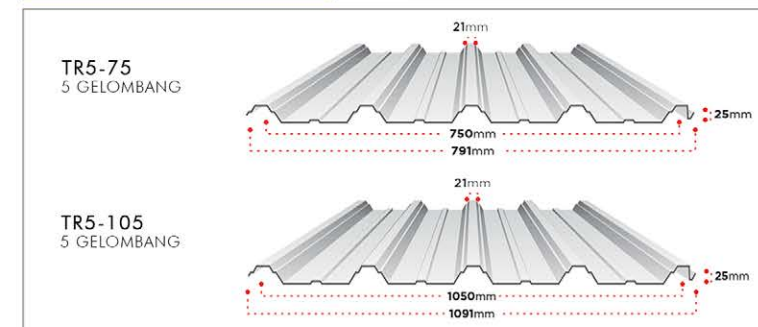
Profile	C 75
Brand	DIAMOND & SABE STEEL
Features	Double Fold, Thickness until 1mm TCT



METAL ROOFING AND CLADDING

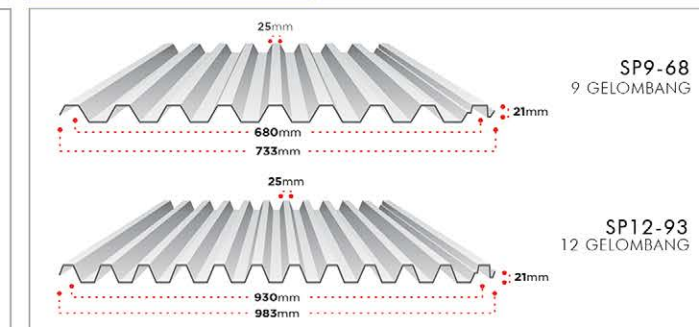
TRIM

Profile	TR5-75, TR5-105
Brand	DIAMOND & SABE STEEL



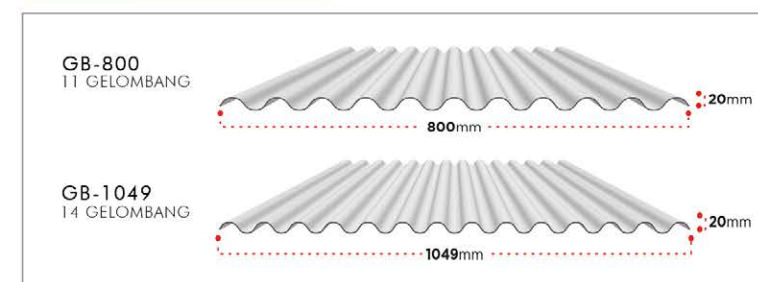
SPAN

Profile	SP9-68, SP12-93
Brand	DIAMOND & SABE STEEL



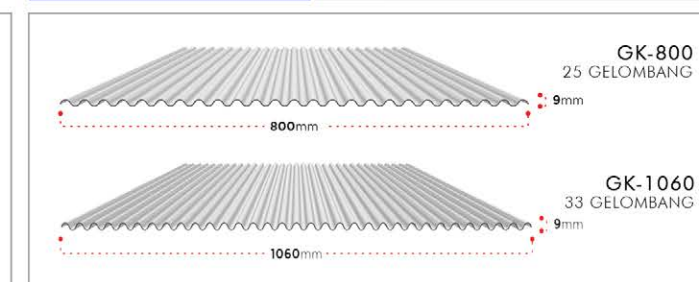
STANDARD CORRUGATED

Profile	GB-800, GB-1049
Brand	DIAMOND & SABE STEEL



SMALL CORRUGATED

Profile	GK-800, GK-1060
Brand	DIAMOND & SABE STEEL



METAL ROOF TILE

Profile	G1, G2, G3, Gn
Length of Leaves	R30, R38, Rxx
Brand	DIAMOND & SABE STEEL

n : Number of stacking | xx : Length of leaves (cm)



NOK

Profile	NOK C, NOK V, NOK CRIMP CURVE
Brand	DIAMOND & SABE STEEL



OTHERS

Butter, Flashing, Ridge Caping	Job order - as requested
Roll Sheet	Job order - as requested



ALUMINIUM 55% DOOR

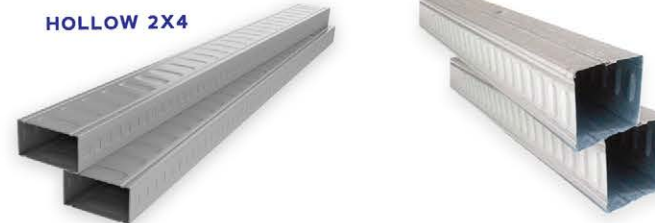
Profile	PKM Type A
Dimensions	1850 x 660 x 50 mm
Aluminium Rate	55%
Features	Open Right, Open Left
Brand	DIAMOND & SABE STEEL

*Other dimensions : Can be requested

PKM Type A
1850 x 660 x 50 mm



HOLLOW 2X4



HOLLOW 4X4

HOLLOW 2X4

Profile	H-2x4
Brand	DIAMOND & SABE STEEL
Features	Double bond

HOLLOW 4X4

Profile	H-4x4
Brand	DIAMOND & SABE STEEL
Features	Double bond

HOLLOW